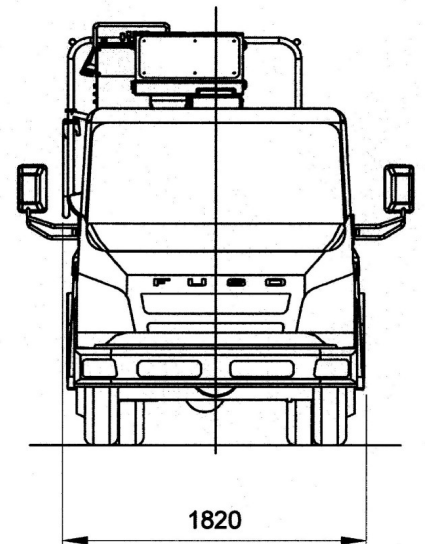
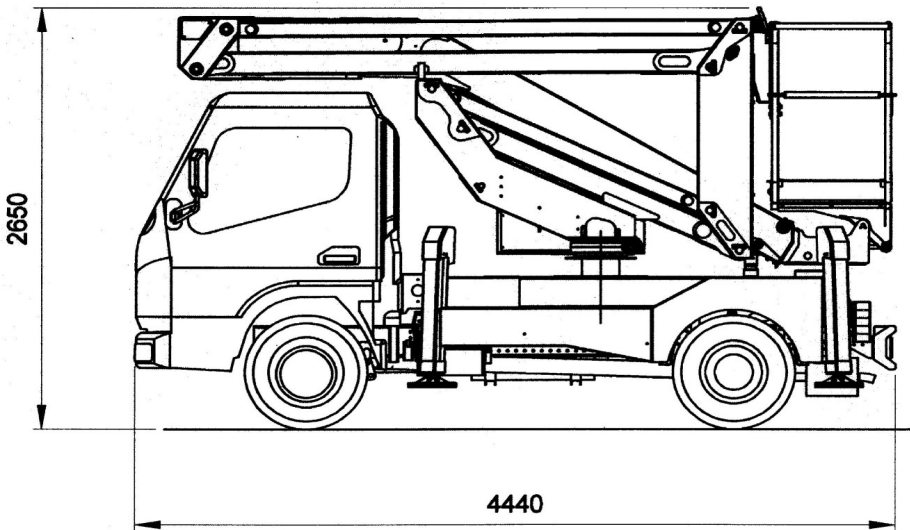
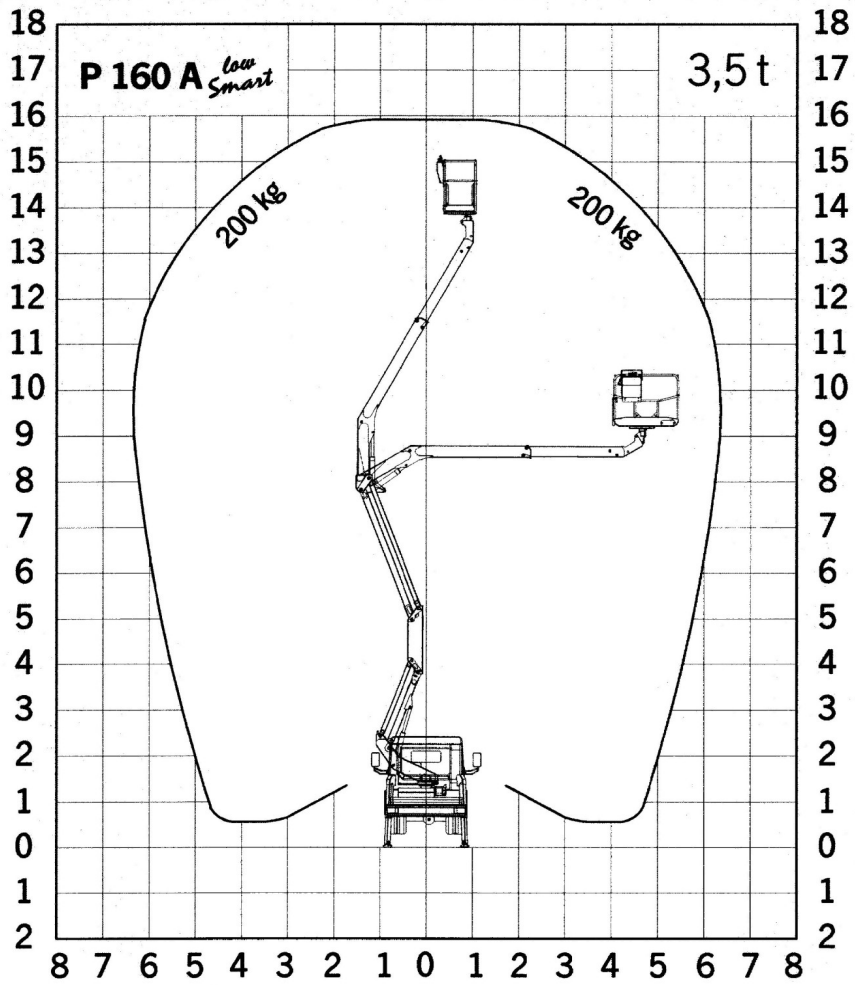


FUSO



FG 494 PD
GE 495 NW